

**POOL BLASTER**  
**AQUA BROOM**



POWER RATING **100**

The Aqua Broom works In Any Spa, Hot Tub, or Kiddie Pool. It removes all debris - from algae to sand to leaves. Aqua Broom is also useful as a spot cleaner for larger above and in-ground pools. Aqua Broom offers extraordinary power for thorough clean-ups of virtually any water applications: kiddie/wading pools, spas, hot tubs and fountains. A great spot cleaner for traditional above ground and in-ground pools. This powerful cleaner uses five standard D-Cell batteries providing up to 3 hours of cleaning time (on average a set of batteries will last almost an entire season). No charging is required for quick clean ups giving the ultimate convenience of use.

FEATURES	SPECIFICATIONS	
<ul style="list-style-type: none"> <li>● Self Contained Vacuum Pump</li> </ul>	<b>Pool Blaster Power Rating</b>	100
<ul style="list-style-type: none"> <li>● On-Board Filtration with General Purpose Filter Bag</li> </ul>	<b>Pump Capacity</b>	up to 25 Gallons per minute
<ul style="list-style-type: none"> <li>● Optional Sand and Silt Filter Bag Available</li> </ul>	<b>Run Time</b>	up to 3 hours (multiple cleanings)
<ul style="list-style-type: none"> <li>● Optional Micro-Filter Insert Available</li> </ul>	<b>Battery</b>	5 "D" cell Batteries
<ul style="list-style-type: none"> <li>● Uses 5 "D" cell batteries</li> </ul>	<b>Vacuum Head Width</b>	6"
<ul style="list-style-type: none"> <li>● Attaches to Standard Pool Pole</li> </ul>	<b>Minimum Operating Depth</b>	4"
<ul style="list-style-type: none"> <li>● 1 Year Limited Warranty</li> </ul>	<b>Unit Dimensions</b>	23.5 " x 6.5" x 3.5"
	<b>Operating Weight</b>	1.7 lbs.



**Have Questions?**

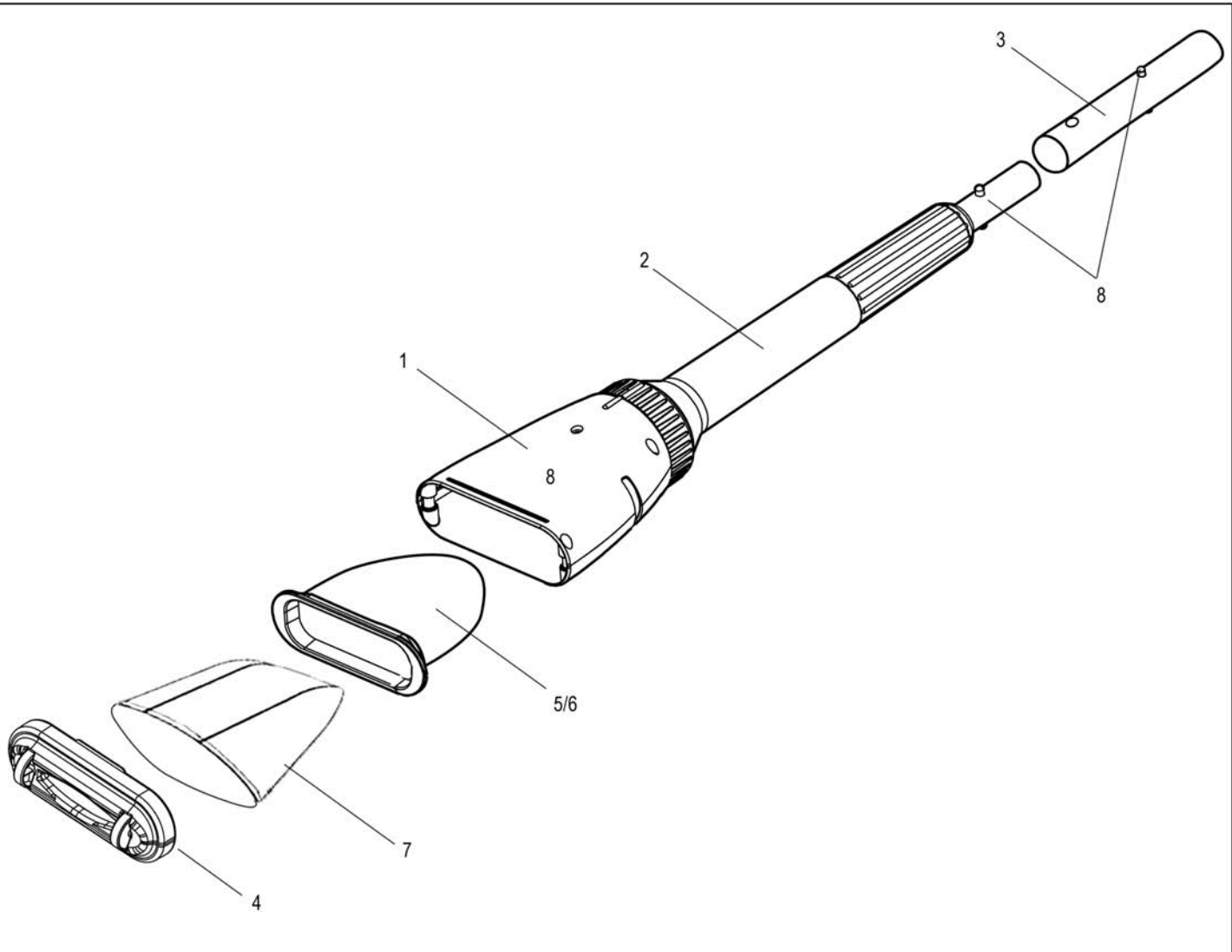
Contact Our Customer Service Hotline:

**1-800-298-8800**

**Need To Order Parts Online?**

<http://store.watertechcorp.com>

# POOL BLASTER AQUA BROOM



- |  |                |              |
|--|----------------|--------------|
| 1. Power Head                            | BRHD           | 1            |
| 2. Battery Chamber/Handle                | BRBC           | 1            |
| 3. Pole Adaptor Cuff                     | BRPACF         | 1            |
| 4. Head Cover                            | BRHC           | 1            |
| 5. All Purpose Filter Bag w/Seal Ring    | BRAP           | 1 (Standard) |
| 6. Sand and Silt Filter Bag w/ Seal Ring | BRFM           | (Option)     |
| 7. Micro Filter Bag Insert               | BW022MF        | (Option)     |
| 8. Pole Spring Clips                     | BBPACS (Short) | 1            |
|  | BRPACL (Long)  | 1            |